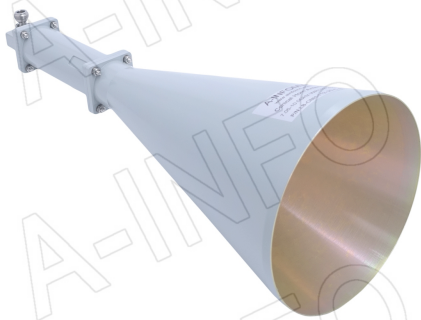


For reference only. See data sheet for the detailed specifications.

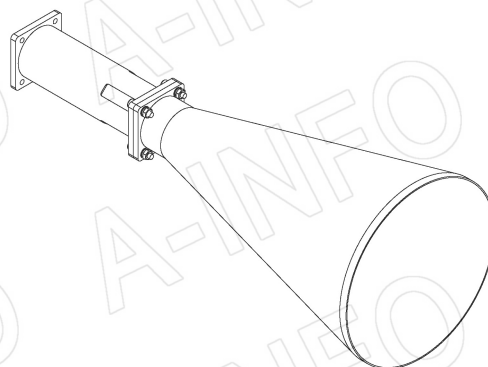
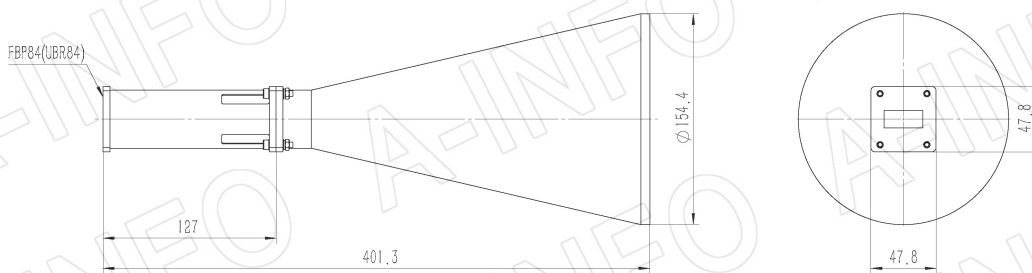
Technical Specification



Frequency Range(GHz)	7.05 – 10.0
Waveguide	WR112
Gain(dBi)	20 Typ.
Polarization	Linear
3dB Beamwidth(deg)	E Plane: 13 Typ.
	H Plane: 16 Typ.
Cross Pol. Isolation(dB)	45 Typ.
VSWR	A Type: 1.20:1 Max.
	C Type: 1.50:1 Max.
Output	A Type: FBP84(UBR84)
	C Type: N-Female or SMA-Female or TNC-Female or 7mm or 3.5mm-Female
Material	Al
Finish	Chemical Conversion Coating, Gray Paint
Size(mm)	A Type: 154.4 x 154.4 x 401.3
	C Type: 154.4 x 154.4 x 441.3
Net Weight(Kg)	A Type: 0.91 Around
	C Type: 0.98 Around

Outline Drawing (Size: mm)

FBP84 Output (P/N: LB-CNH-112-20-A)



AINFO Inc.

China(Beijing): Tel: (+86) 10-6266-7326,
China(Chengdu): Tel: (+86) 28-8519-2786,
USA : Tel: (+1) 949-639-9688,

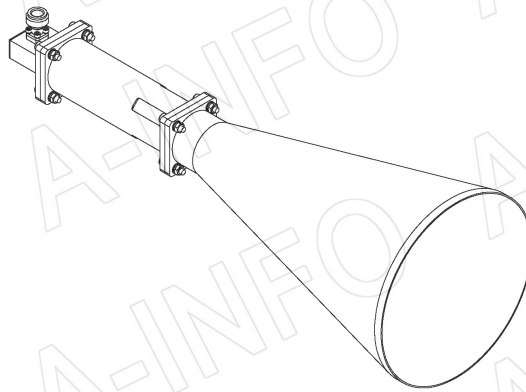
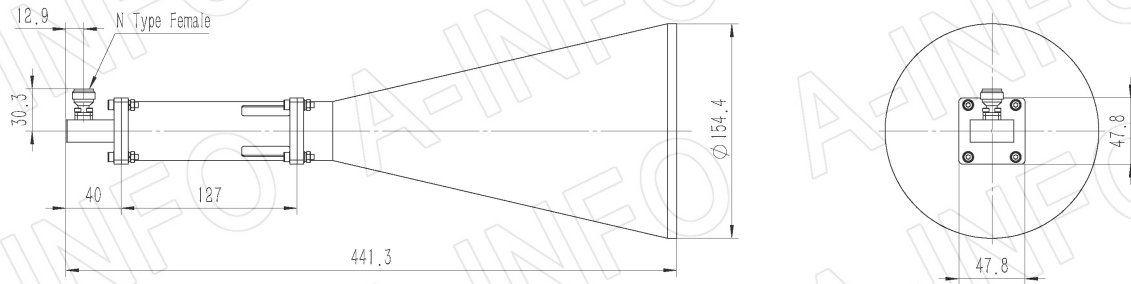
Page 1 of 8

(+86) 10-6266-7327 Fax: (+86) 10-6266-7379
(+86) 28-8519-3044 Fax: (+86) 28-8519-3068
(+1) 949-639-9608 Fax: (+1) 949-639-9670

Website: www.ainfoinc.com
Email: sales@ainfoinc.com

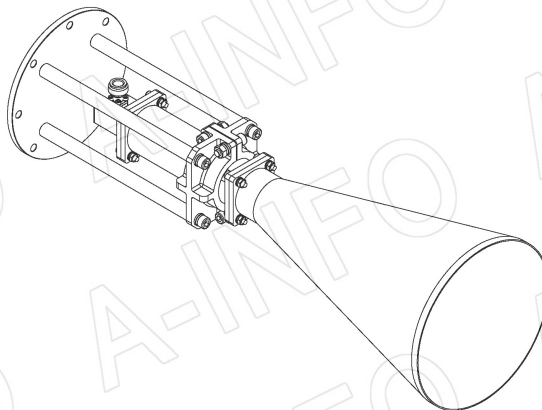
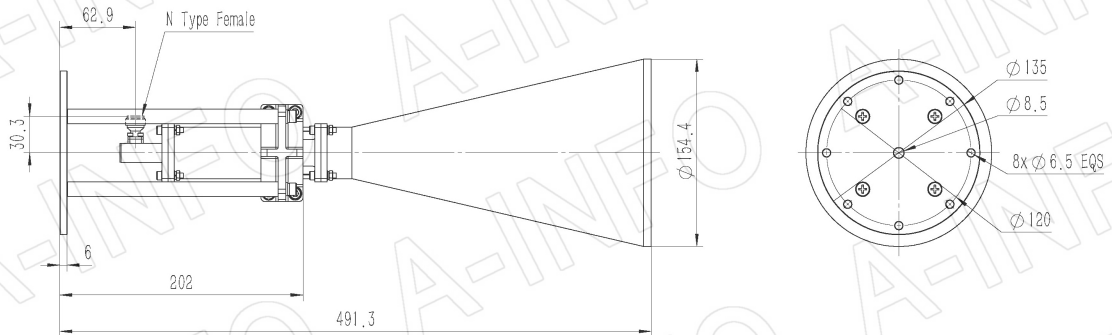
N-Female Output (P/N: LB-CNH-112-20-C-NF)

For SMA-Female, TNC- Female, 7mm or 3.5mm-Female output outline drawing, please contact A-INFO.



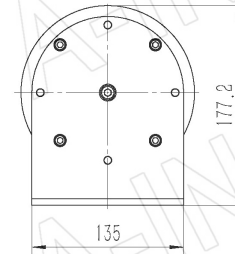
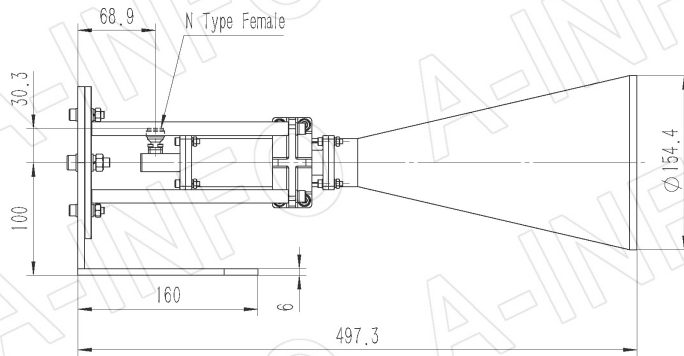
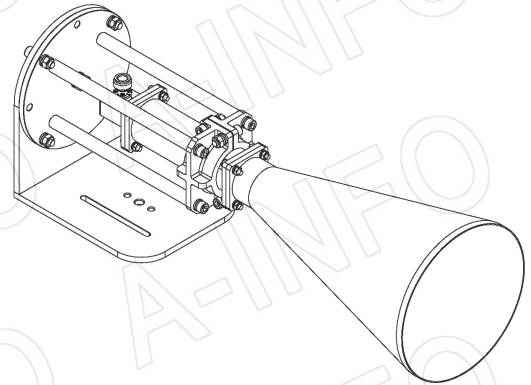
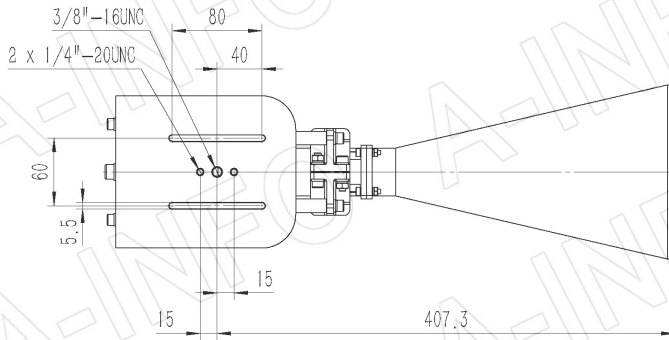
N-Female Output with Round Mounting Bracket (Option, P/N: LB-CNH-112-10-MB)

For SMA-Female, TNC- Female, 7mm or 3.5mm-Female output outline drawing, please contact A-INFO.

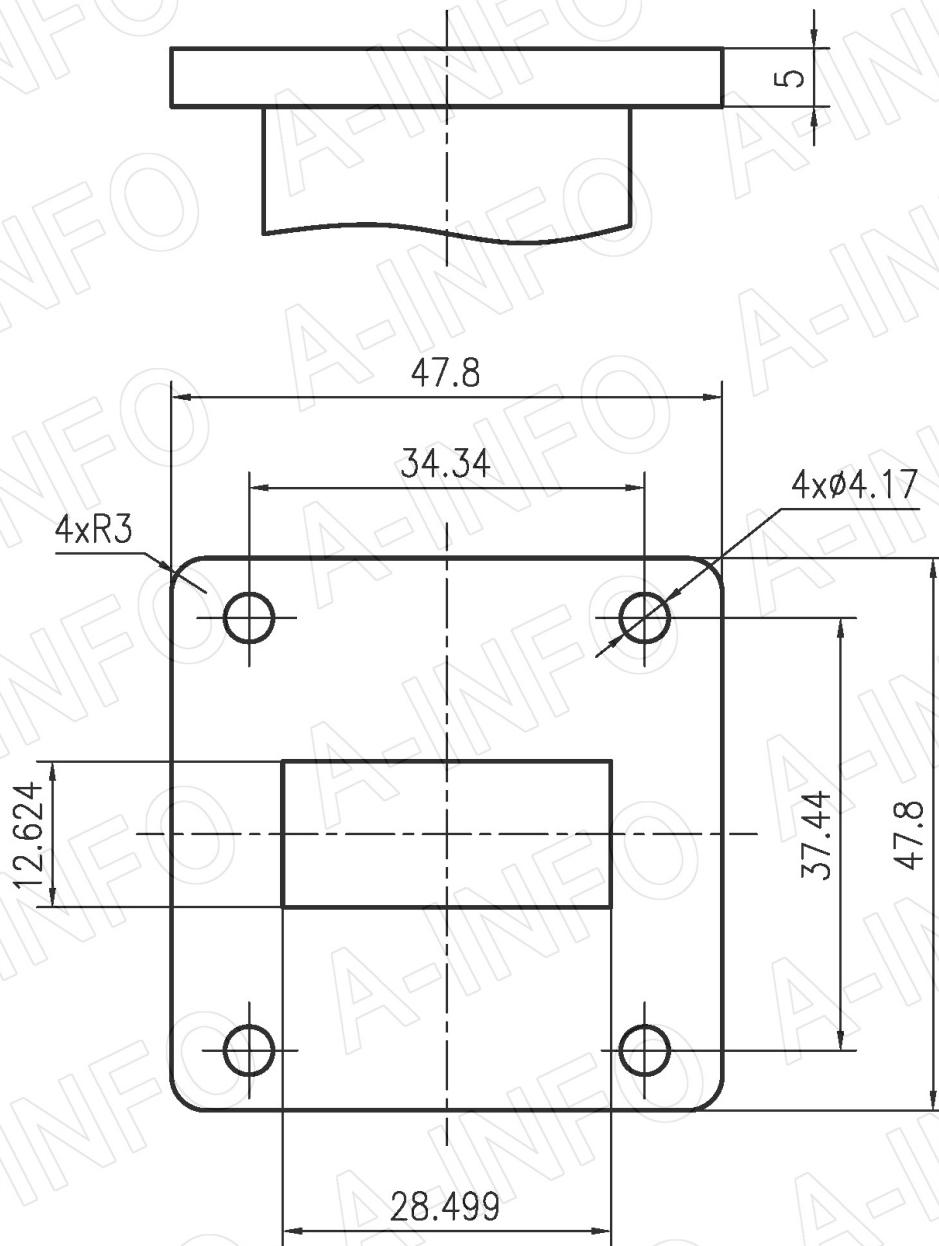


N-Female Output with L Type Mounting Bracket (Option, P/N: LB-CNH-112-10-MBL)

For SMA-Female, TNC- Female, 7mm or 3.5mm-Female output outline drawing, please contact A-INFO.



Flange Drawing (Size: mm)



FBP84

AINFO Inc.

China(Beijing): Tel: (+86) 10-6266-7326,
China(Chengdu): Tel: (+86) 28-8519-2786,
USA: Tel: (+1) 949-639-9688,

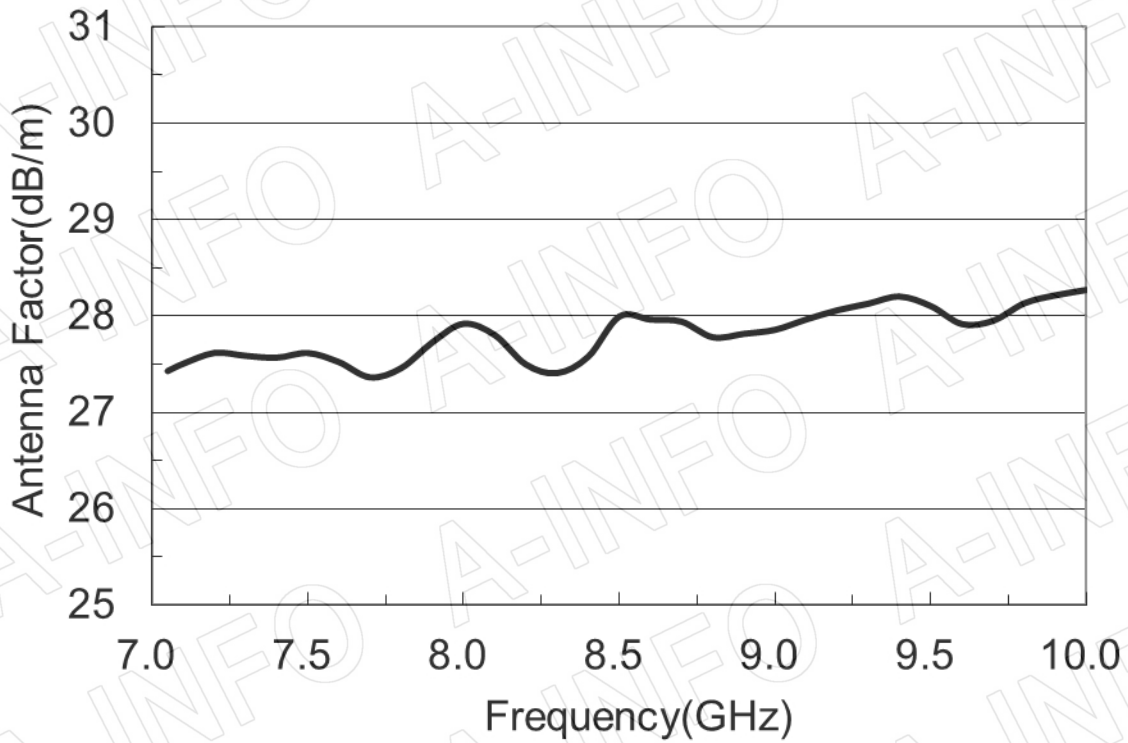
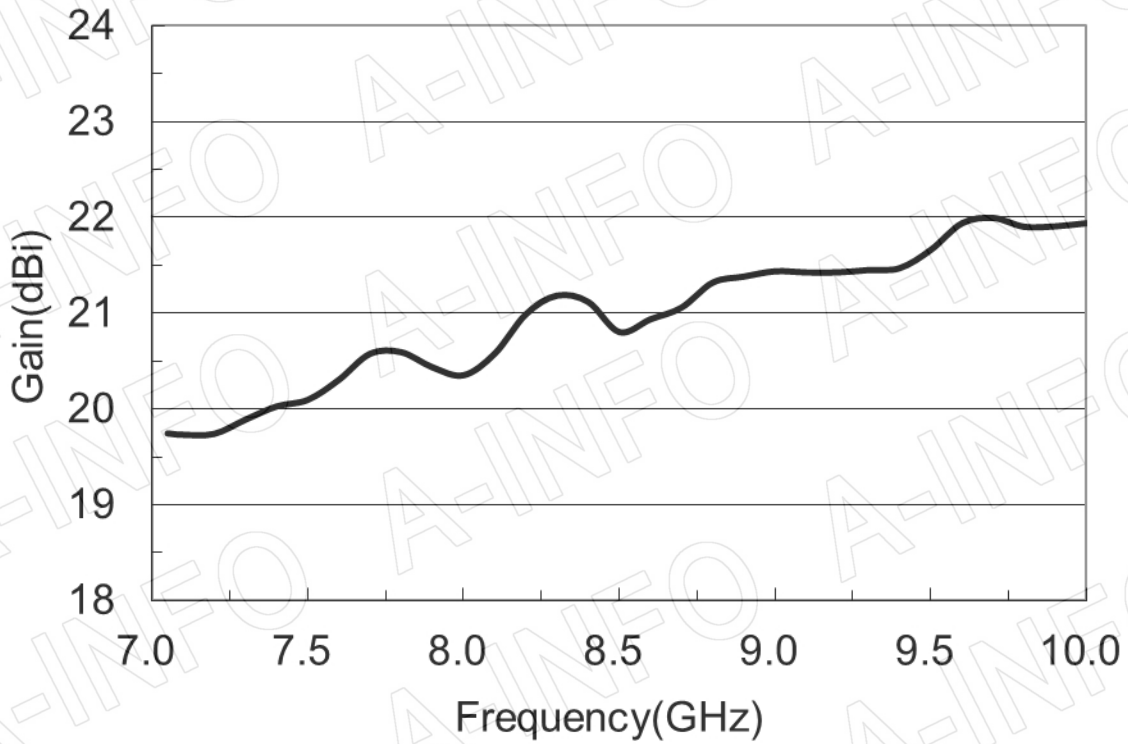
Page 4 of 8

(+86) 10-6266-7327 Fax: (+86) 10-6266-7379
(+86) 28-8519-3044 Fax: (+86) 28-8519-3068
(+1) 949-639-9608 Fax: (+1) 949-639-9670

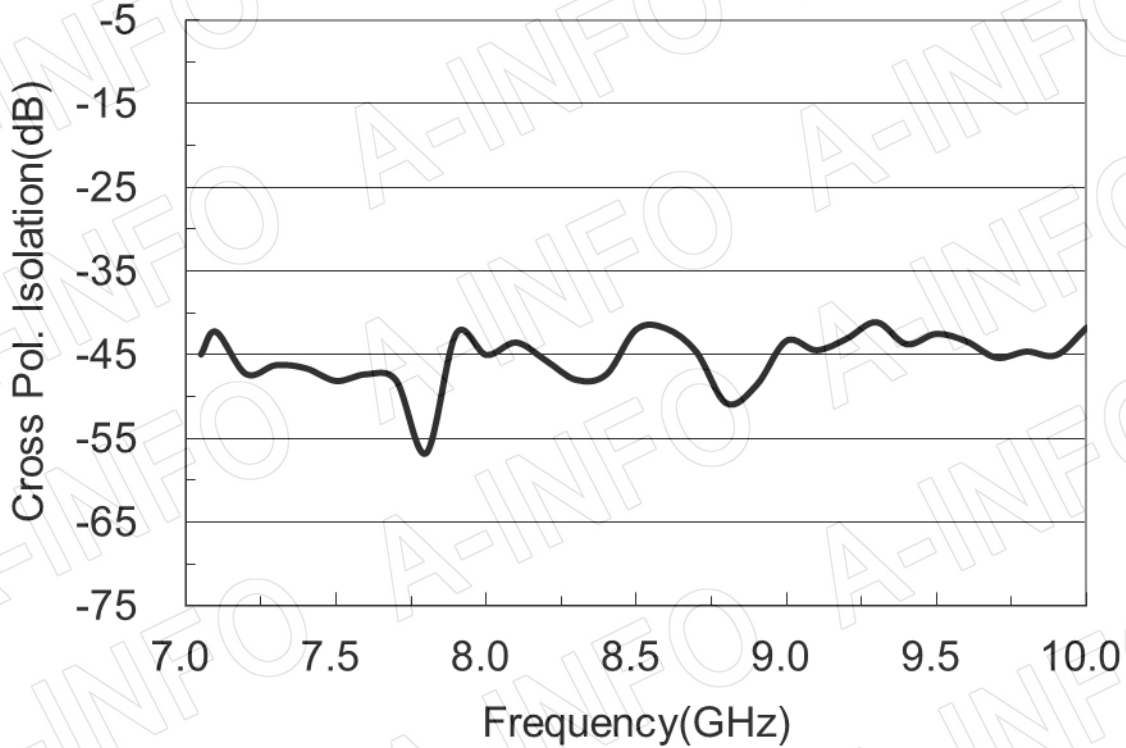
Website: www.ainfoinc.com
Email: sales@ainfoinc.com

Test Results

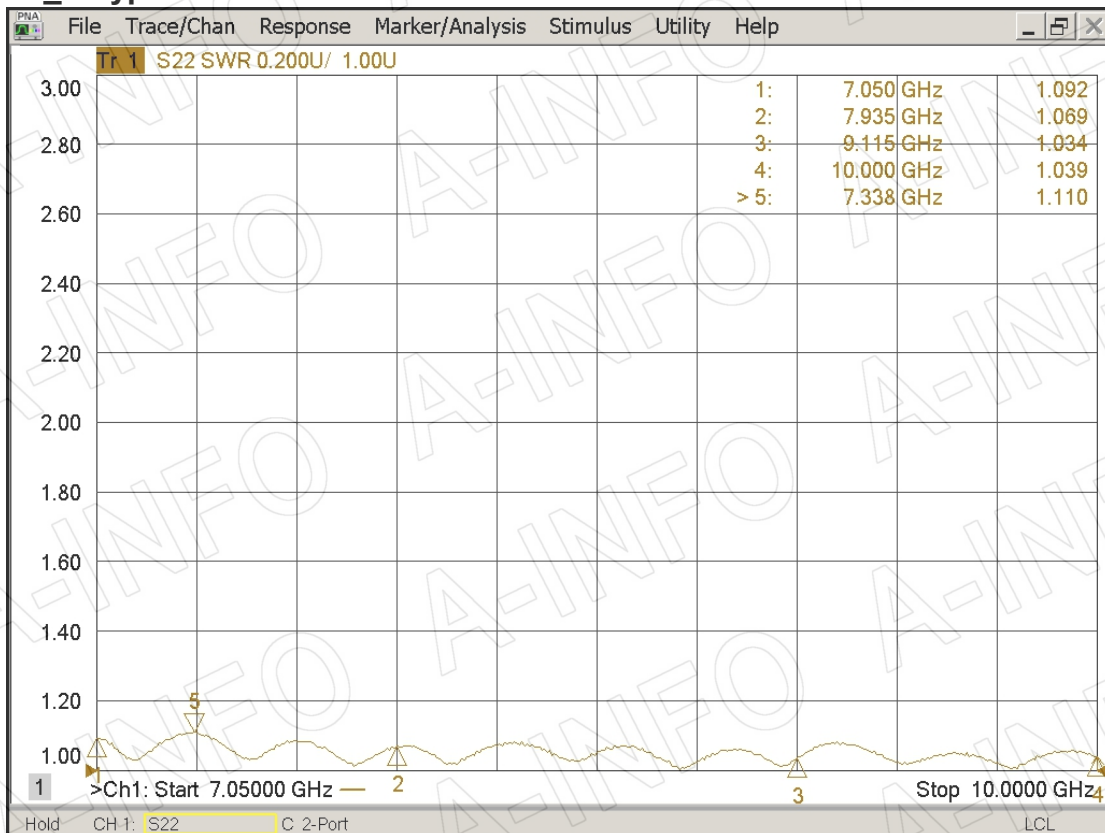
1. Gain & Antenna Factor



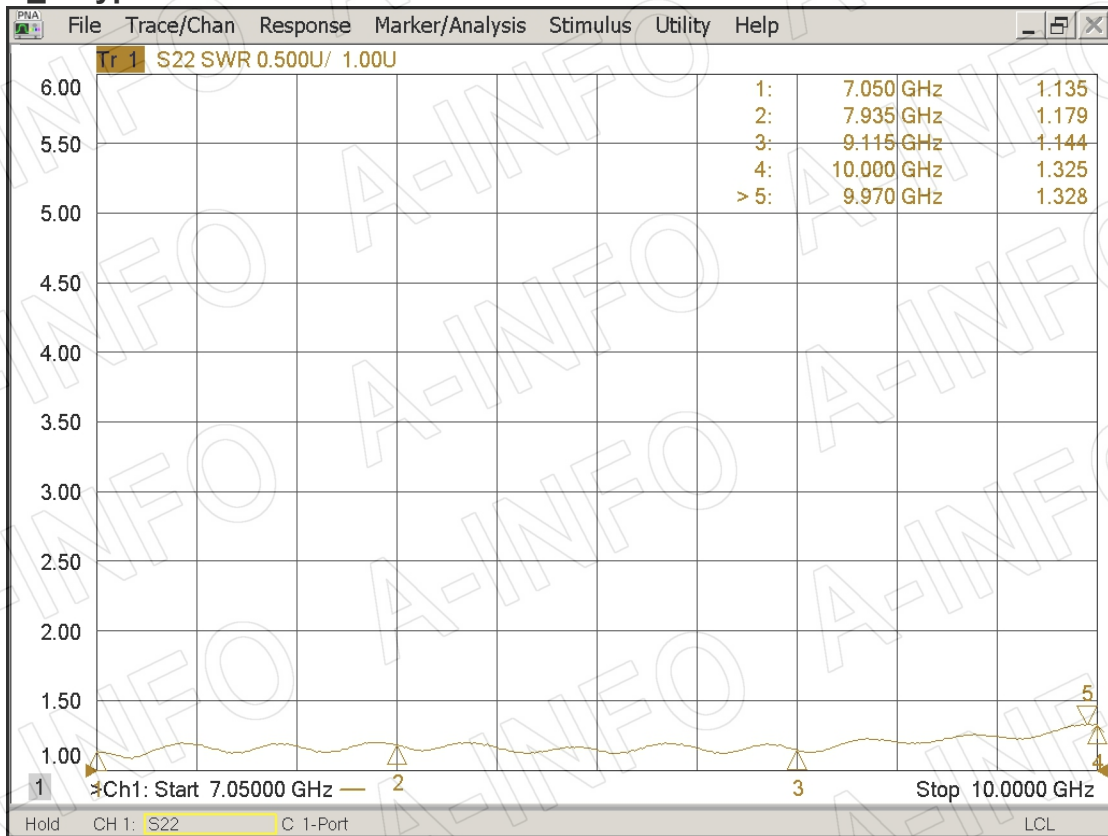
2. Cross Polarization Isolation



3. VSWR_A Type



VSWR_C Type



4. Pattern

